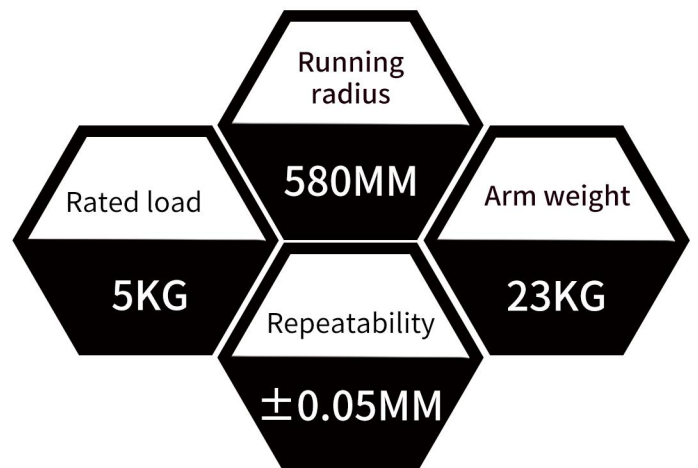


Product Information

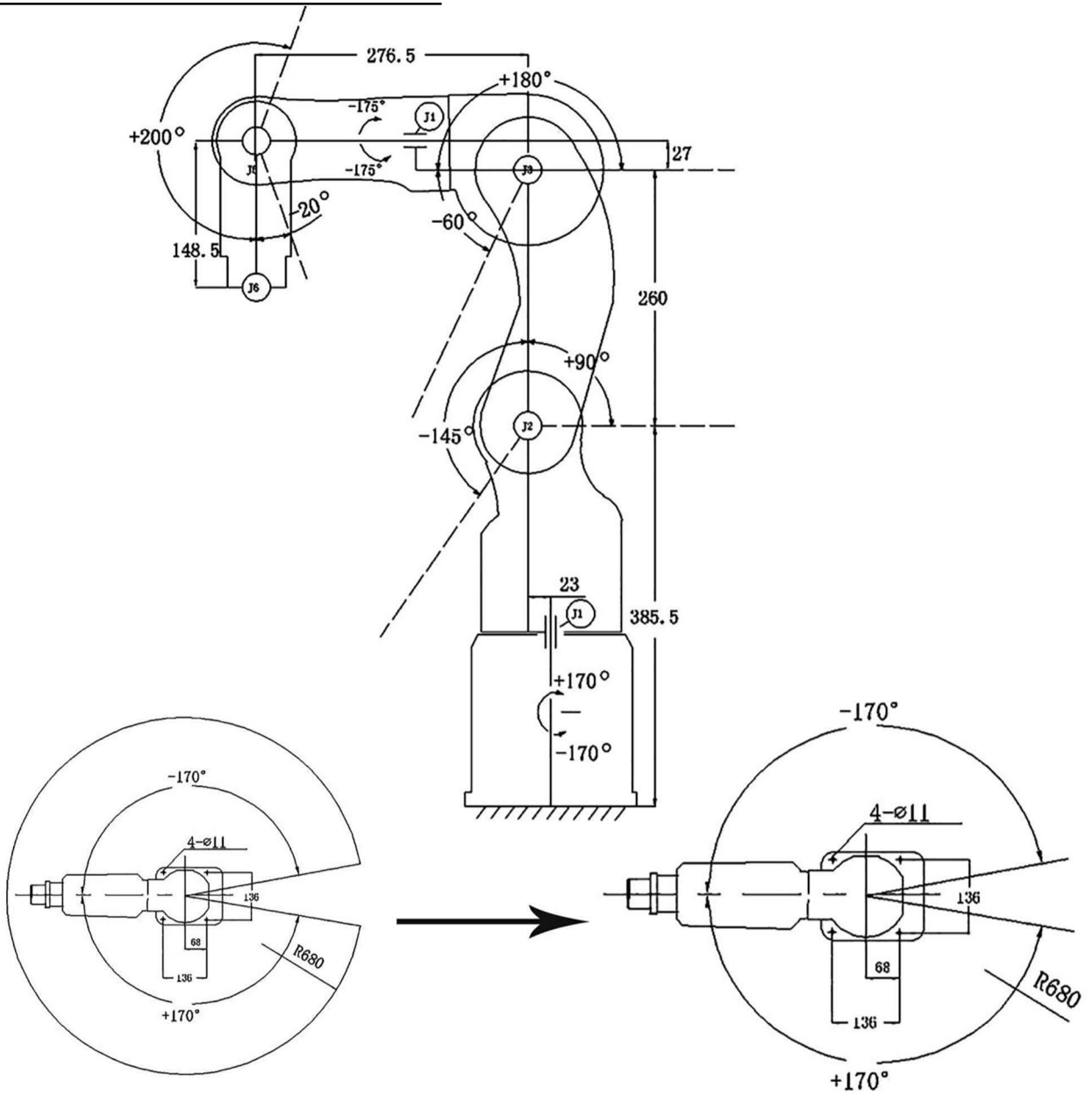
Q605-A



Project		Parameter
Degree of the freedom		6
Working radius		580MM
Maximum load		6KG
Rated load		5KG
Working range	J1	-175°~+175°
	J2	-130°~+100°
	J3	-150°~+90°
	J4	-175°~+175°
	J5	-120°~+120°
	J6	-180°~+180°
Position repeatability		±0.05MM
Fuselage material		6061 Aluminum alloy
Body weight		23KG
Input voltage		220V
Power plant		AC Servo Motor
Reduction gear		Harmonic deceleration
Environmental requirements	Temperature	5°C-50°C
	Humidity	10%-80%
Installation		Table top, side mount, flip mount
Maximum speed	J1	180°/SEC
	J2	224.9°/SEC
	J3	300°/SEC
	J4	210°/SEC
	J5	450°/SEC
	J6	450°/SEC



Range Diagram



Flange drawing

Base installation drawing

